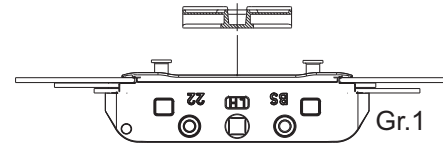
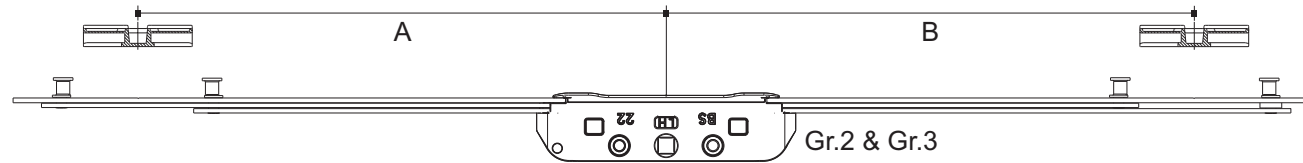
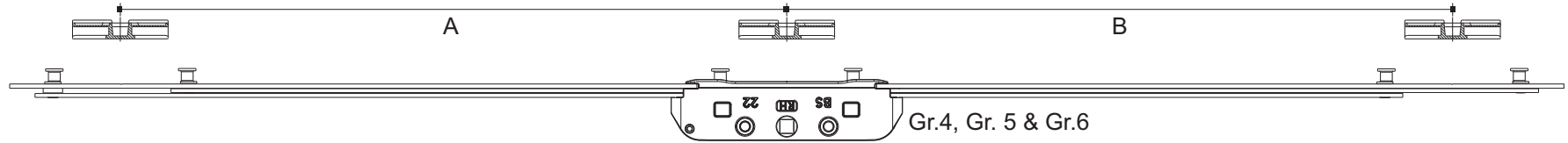
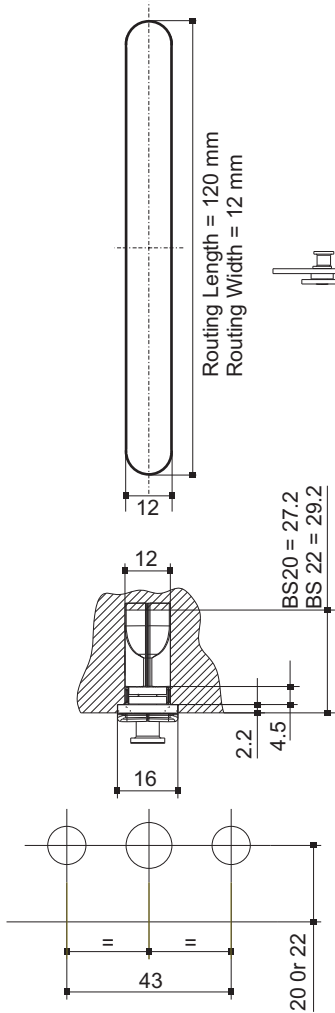




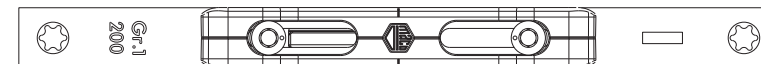
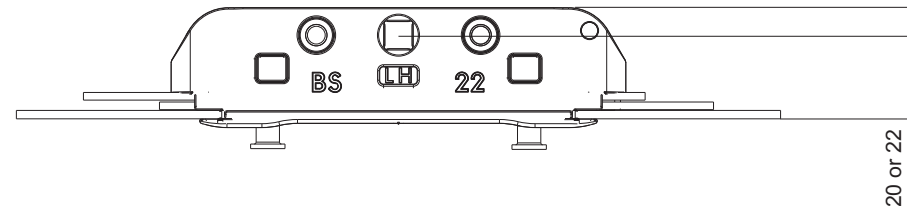
R.A.I.L. Assembly Instructions



↓ Grease with acid free lubricant
(e.g.) Petroleum Jelly).

↓ Place a few drops of a light
machine oil in all guide slots.

Lockcase Depth
Backset + 7.2 mm



| Size | Sash Rebate Size Min | Sash Rebate Size Max | Qty Striker Plates | Striker A | Striker B |
|------|-------------------------|-------------------------|-----------------------|--------------|--------------|
| Gr.1 | 200 | 400 | 1 | - | - |
| Gr.2 | 401 | 600 | 2 | 142 | 142 |
| Gr.3 | 601 | 800 | 2 | 242 | 242 |
| Gr.4 | 801 | 1000 | 3 | 342 | 342 |
| Gr.5 | 1001 | 1200 | 3 | 442 | 442 |
| Gr.6 | 1201 | 1400 | 3 | 542 | 542 |

All dimensions are in mm.